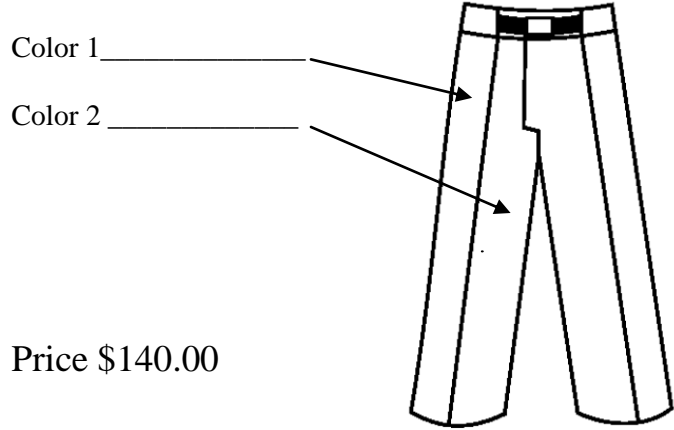


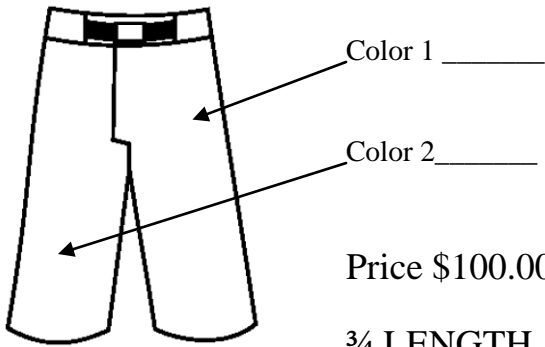
Color 1 \_\_\_\_\_  
 Color 2 \_\_\_\_\_  
 Color 3 \_\_\_\_\_  
 Color 4 \_\_\_\_\_  
 Back will be opposite  
 unless otherwise noted  
 Price \$110.00

FULL LENGTH



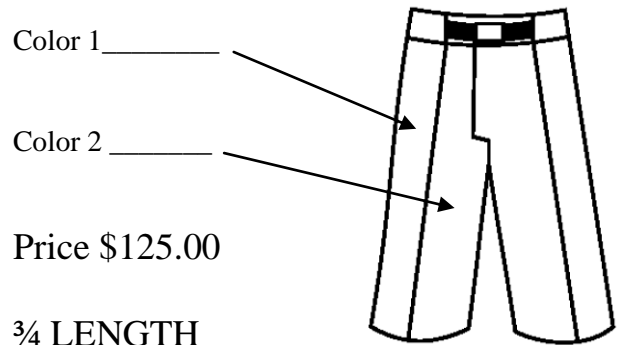
Color 1 \_\_\_\_\_  
 Color 2 \_\_\_\_\_  
 Price \$140.00

FULL LENGTH



Color 1 \_\_\_\_\_  
 Color 2 \_\_\_\_\_  
 Price \$100.00

3/4 LENGTH



Color 1 \_\_\_\_\_  
 Color 2 \_\_\_\_\_  
 Price \$125.00

3/4 LENGTH

**Options:**

- Cordura Seat \_\_\_\_\_ \$10.00
- Cordura Knees \_\_\_\_\_ \$10.00
- Side leg Stripes (3 stripes) \$60.00
- Colors \_\_\_\_\_

Fabric: \_\_\_\_\_ Supplex \_\_\_\_\_ Polycotton  
 Special Instructions:

\_\_\_\_\_  
 \_\_\_\_\_

**Features:**

- Zipper front**
- Snap waist closure**
- Adjustable belt with squeeze buckle**
- Side zippered pocket with velcro flap**

## Pants