

Office Use Only

\_\_\_\_\_ Receipt Date

\_\_\_\_\_ Ship Date

NAME \_\_\_\_\_

ADDRESS \_\_\_\_\_

CITY \_\_\_\_\_ STATE \_\_\_\_\_ ZIP \_\_\_\_\_

PHONE \_\_\_\_\_ EMAIL \_\_\_\_\_

Shipping \_\_\_\_\_

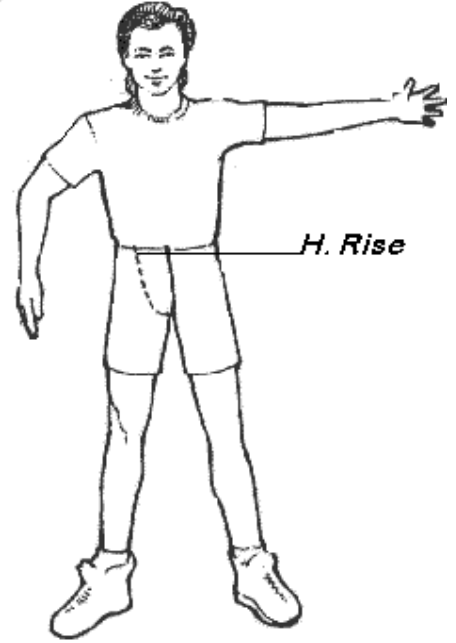
Dealer

**Measurements-** Take measurements with the clothes on you would normally wear to skydive - include shoes.

- A. Waist \_\_\_\_\_
- B. Hips (fullest part) \_\_\_\_\_
- C. Upper Thigh (fullest part) \_\_\_\_\_
- D. Around and just above knee \_\_\_\_\_
- E. Crotch to just above knee \_\_\_\_\_
- F. Above knee to floor \_\_\_\_\_
- G. Crotch to floor \_\_\_\_\_ Regular Pants Inseam \_\_\_\_\_
- H. Rise (Waist down under crotch - back up to waist) \_\_\_\_\_
- I. Low Rise - if pants are worn below waist level \_\_\_\_\_

Height \_\_\_\_\_ Weight \_\_\_\_\_

Sex \_\_\_\_\_



**Price: See Other Side**

**Options**

**Subtotal**

**Rush \$20 / Double \$40**

**Pa Residents Add 6% Sales Tax**

**US Shipping Ground rate 22.00**  
Call for alternate shipping

**Total**

**Balance Due**

***Thank you for your order!***

Payment Method: Check Money Order MasterCard Visa Discover Amex

Expiration Date: \_\_\_\_/\_\_\_\_ (month/year) Security Code \_\_\_\_\_

--	--	--	--	--	--	--	--	--	--	--	--	--	--	--	--	--

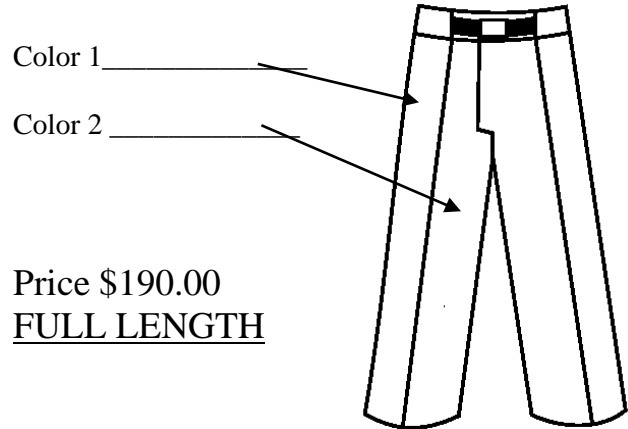
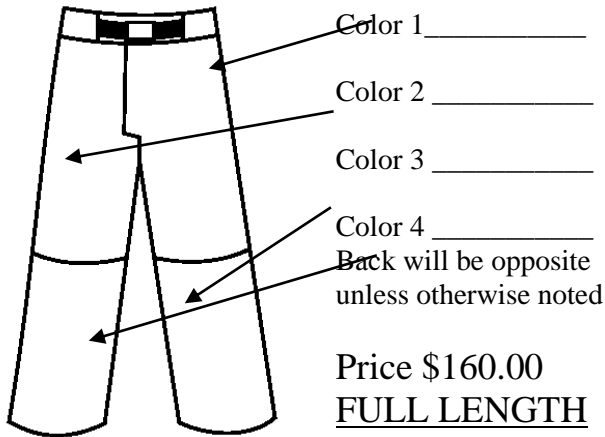
Card Account Number

**4% Service Charge on Credit Card Orders**

Name of Issuing Bank

Customer Signature

## Freefly or Bootie Pants



### Options:

Cordura Seat \_\_\_\_\_ \$10.00

Cordura Knees \_\_\_\_\_ \$10.00

Side leg Stripes (2) Stripes \$40.00

(3) Stripes \$60.00

Colors \_\_\_\_\_

Fabric: \_\_\_\_\_ Supplex \_\_\_\_\_ Polycotton

**BOOTIE PANTS:** Shoe Size \_\_\_\_\_

\_\_\_\_\_ Polycotton Booties \$55.00

\_\_\_\_\_ Cordura Booties \$70.00

\_\_\_\_\_ Majik Cordura Booties \$90.00

\_\_\_\_\_ Zippers on Booties 12" \$25.00

\_\_\_\_\_ High Zippers 22" \$30.00

### Features:

**Zipper front**

**Snap waist closure**

**Adjustable belt with squeeze buckle**

**Side zippered pocket with velcro flap**

**Velcro ankle cuffs**