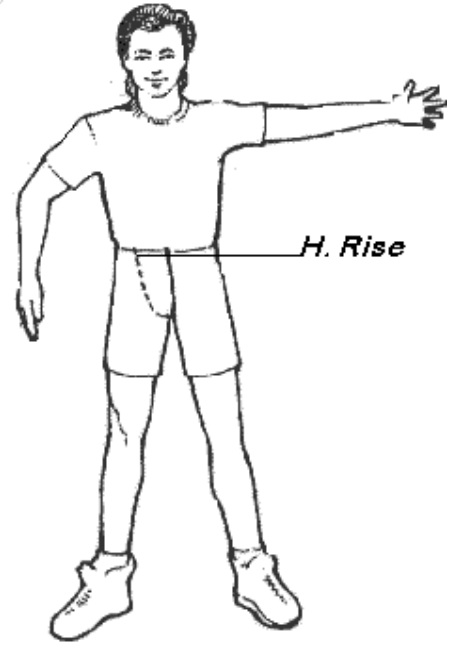


NAME _____
 ADDRESS _____
 CITY _____ STATE _____ ZIP _____
 PHONE _____ EMAIL _____
 Shipping _____ Dealer _____

Office Use Only	
_____	Receipt Date
_____	Ship Date

Measurements- Take measurements with the clothes on you would normally wear to skydive - include shoes.

- A. Waist _____
- B. Hips (fullest part) _____
- C. Upper Thigh (fullest part) _____
- D. Around and just above knee _____
- E. Crotch to just above knee _____
- F. Above knee to floor _____
- G. Calf _____
- H. Crotch to floor _____ Regular Pants Inseam _____
- I. Rise (Waist down under crotch - back up to waist) _____
- I. Low Rise - if pants are worn below waist level _____



Height _____ Weight _____
 Sex _____

Payment Method: Check Money Order MasterCard Visa Discover

Expiration Date: ____/____ (month/year) Security Code _____

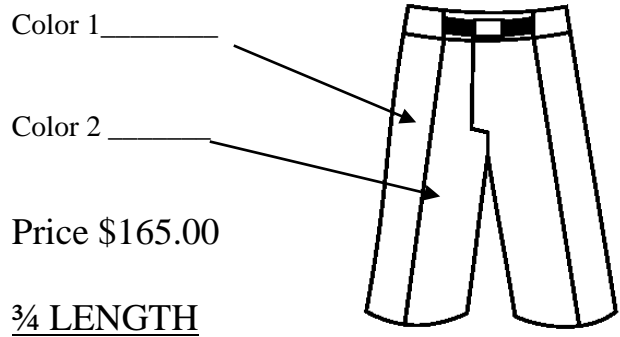
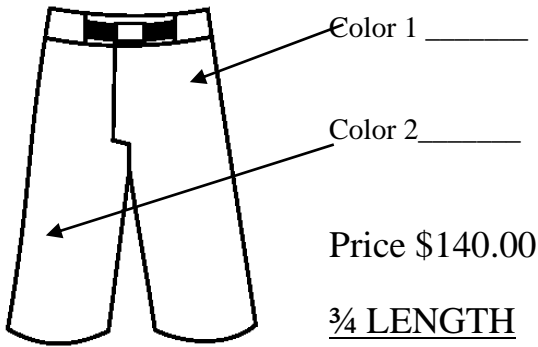
--	--	--	--	--	--	--	--	--	--	--	--	--	--	--	--	--	--	--	--

Card Account Number **4% Service Charge on Credit Card Orders**

Name of Issuing Bank _____ Customer Signature _____

<i>Price</i>	<i>See Other</i>
Options	
Subtotal	
Rush \$20 / Double \$40	
Pa Residents Add 6% Sales Tax	
US Shipping Ground rate	22.00
Call for other options	
Total	
Balance Due	
<i>Thank you for your order!</i>	

SWOOP PANTS



Options:

- Cordura Seat _____ \$10.00
- Cordura Knees _____ \$10.00
- Side leg Stripes (2) Stripes \$40.00
- (3) Stripes \$50.00

Colors _____

Fabric: _____ Supplex _____ Polycotton

Special Instructions:

Features:

- Zipper front**
- Snap waist closure**
- Adjustable belt with squeeze buckle**
- Side zippered pocket with velcro flap**